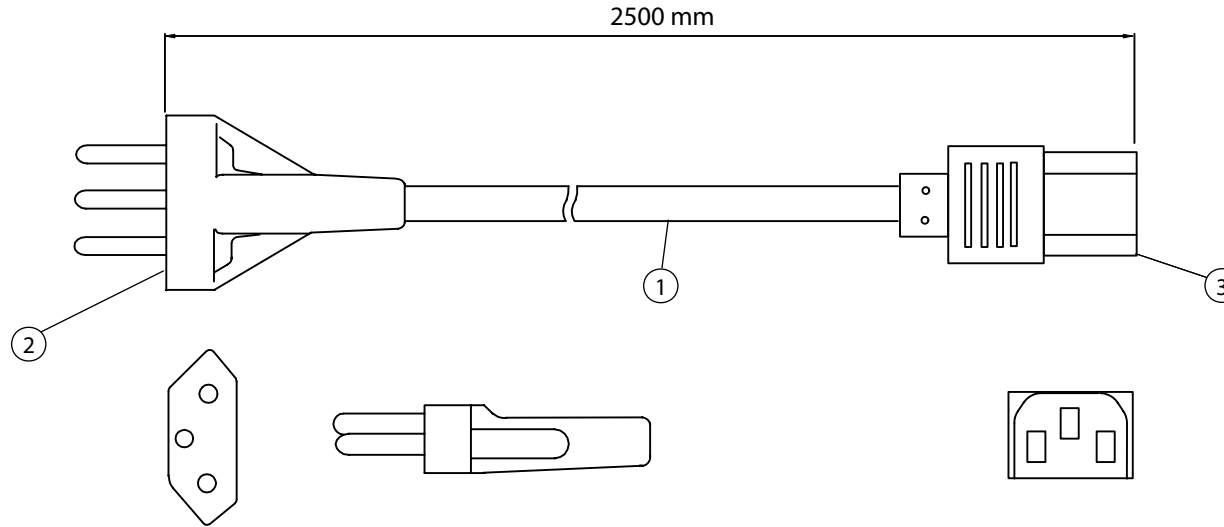


THESE DRAWINGS ARE THE PROPERTY OF QUALTEK ELECTRONICS AND NOT TO BE REPRODUCED FOR OR COMMUNICATED TO A THIRD PARTY WITHOUT THE EXPRESS WRITTEN PERMISSION OF AN OFFICER OF QUALTEK ELECTRONICS.

| REVISION |             |      |          |
|----------|-------------|------|----------|
| REV.     | DESCRIPTION | DATE | APPROVED |
|          |             |      |          |
|          |             |      |          |
|          |             |      |          |



NOTES:

1. CORDAGE: H05VV-F, 3 X 1.0, UNSHIELDED, CEE COLOR CODE, TEMP. RATING 70°C, RATING: 250V 10A, JACKET COLOR: BLACK
2. PLUG: SEV 1011
3. CONNECTOR: IEC 60320 C13
4. APPROVALS: SWITZERLAND
5. ROHS COMPLIANT

**CONTROLLED**

| Dim range (mm) |      | Tolerance +/- (mm)      |                | Qualtek Electronics Corp.<br>PPC DIVISION |  |  |
|----------------|------|-------------------------|----------------|---|--|--|
| 0-1            | 0.15 | Part Number: 378001-E01 |                | RoHS Compliant                            |  |  |
| 1-6            | 0.20 | Description: POWER CORD |                |   |  |  |
| 6-18           | 0.30 | UNIT: mm                |                |   |  |  |
| 18-50          | 0.50 | Drawn / Date            | Checked / Date | Approved / Date                           |  |  |
| 50-120         | 0.70 | B.ZHANG<br>10-18-06     | 10-18-06       | JJH / 10-18-06                            |  |  |
| 120-250        | 0.90 |                         |                |   |  |  |
| 250-500        | 1.20 |                         |                |   |  |  |